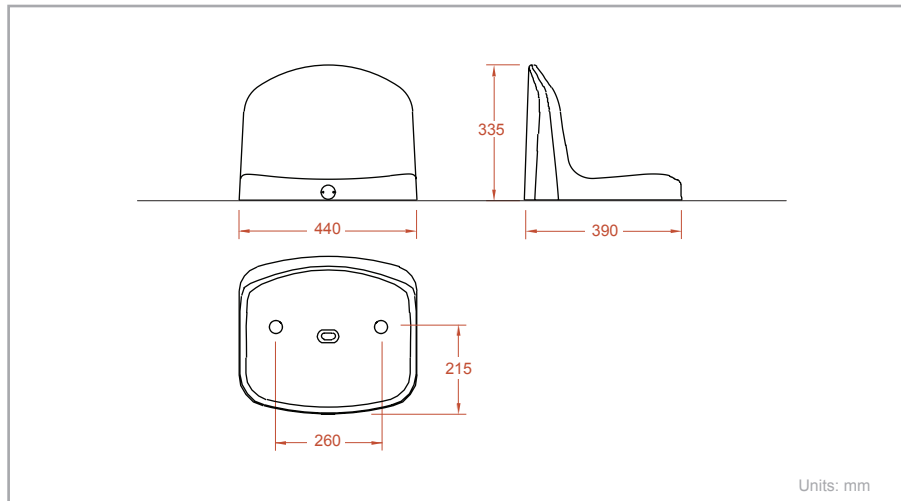


Formed as a single piece of injected polypropylene copolymer, the LINK LOTUS seat provides a highly cost effective durable comfortable seat where tipping functionality is not required. Available in the full range of RAL colours and with fixing options for riser, tread and direct to stand.

The Link Lotus is ideal for team "dugouts", small, lower cost applications or sections of stands or public venues where tip functionality is not required.



Dimensions



We reserve the right to change the specifications of the products described in this leaflet at any time.

Features

- Polypropylene copolymer - smooth anti-static surface for easy cleaning
- Overall width 440mm
- EN 12727 accredited to level 4
- Tread, riser or direct to stand mounting options.
- Tread and riser fix legs are fully galvanised legs for long term corrosion resistance
- Highly vandal resistant
- High comfort levels

Options

- UV resistance additives
- Fire Rating additives
- Seat numbering using either self-adhesive or aluminium discs
- Full range of RAL colours
- Colour coated leg options in a range of colours and finishes