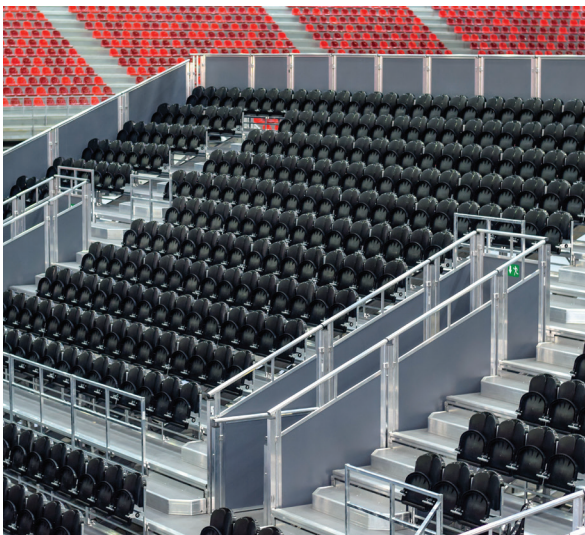


The Link Spectrum seat is a modern attractive stadium tip up seat providing future proofed solutions in the 480mm – 500mm seat centres to the latest European standards and guidance on spectator seat spacing. The contoured surface and wider seat provides high levels of spectator comfort over long periods. The gravity operated tip up mechanism utilising a concealed and sealed counterweight ensures a low maintenance reliable tip action and gives an attractive modern presentation of the stadium eliminating unsightly reinforcing rings and corrosion prone fittings.

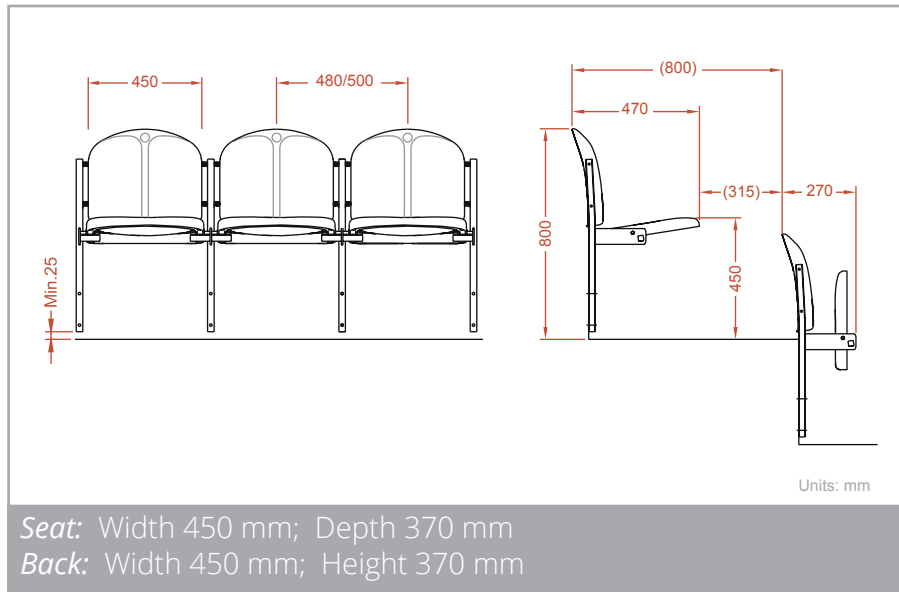


Available in the full range of RAL colours and with a choice of upholstery options for VIP applications. The Link Spectrum seat has a proven track record with thousands of Link Spectrum seats installed in a huge range of modern stadia around the world. Spectrum is a great choice for a modern reliable stadium seat.



As with the Mirage seat, the Link Spectrum seat also features a unique, optional tamper-proof clip-in system which facilitates unrivalled speed of seat pan renewal without the need to slacken off adjacent seat legs, making “in-game” renewal possible and virtually eliminating risk of unusable defective seats.

## Dimensions



We reserve the right to change the specifications of the products described in this leaflet at any time.

## Features

- 480mm – 500mm seat centres
- Polypropylene copolymer - smooth anti-static surface for easy cleaning
- Self-lubricating pivot bush
- Designed-in recesses for seat numbering and branding
- Auto tipping by sealed concealed counterweight – no springs or gas struts to fail.
- EN 12727 accredited to level 4
- Tread or riser fix leg options.
- Fully galvanised legs for long term corrosion resistance
- Highly vandal resistant

## Options

- UV resistance additives
- Fire Rating additives
- VIP “Club” Upholstery – weather resistant vinyl or interior fabrics
- WVIP “Director” Upholstery – weather resistant vinyl or interior fabrics
- Armrests available in polypropylene or upholstered to suit the application
- Folding leg for use in telescopic tiered applications
- Unique tamper proof clip on seat option for rapid renewal
- Seat numbering using either self-adhesive or aluminium discs
- Factory fitted branding inserts
- Full range of RAL colours
- Colour coated leg options in a range of colours and finishes

